

**DS-3WF02-5AC/D****5 Ghz 867 Mbps 5 km Wireless Bridge**

The wireless bridge can be applied in industries, such as wireless video security, railway, transportation, power and other industries, wireless video/data transmission, wireless coverage, carrier wireless backbone network construction, Wi-Fi wireless coverage, rural information construction, and wireless network coverage. The long-distance transmission of the device can guarantee multi-channel HD video transmission.

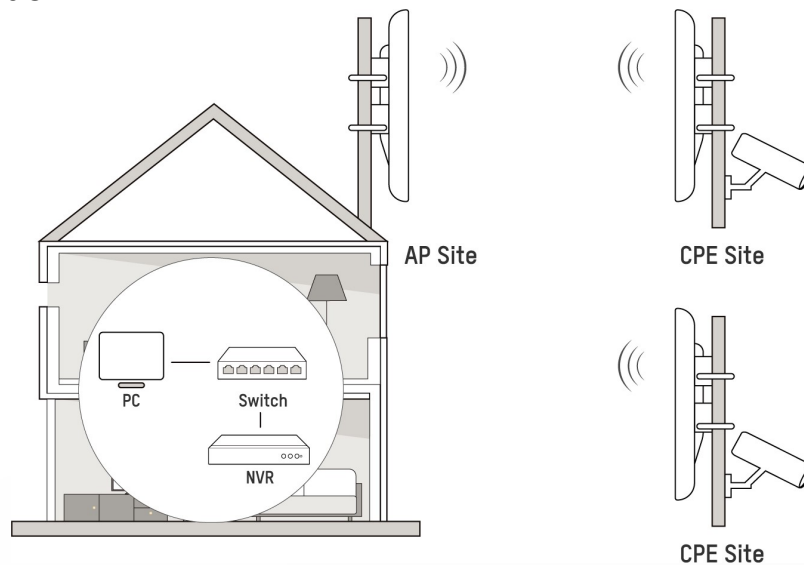
- Up to 5 km wireless transmission distance
- 867 Mbps 802.11ac wireless bridge
- Built-in 12 dBi 2 x 2 MIMO antenna
- Visualized topology management
- Standard PoE Input & Output
- Plug and Play

## • Specification

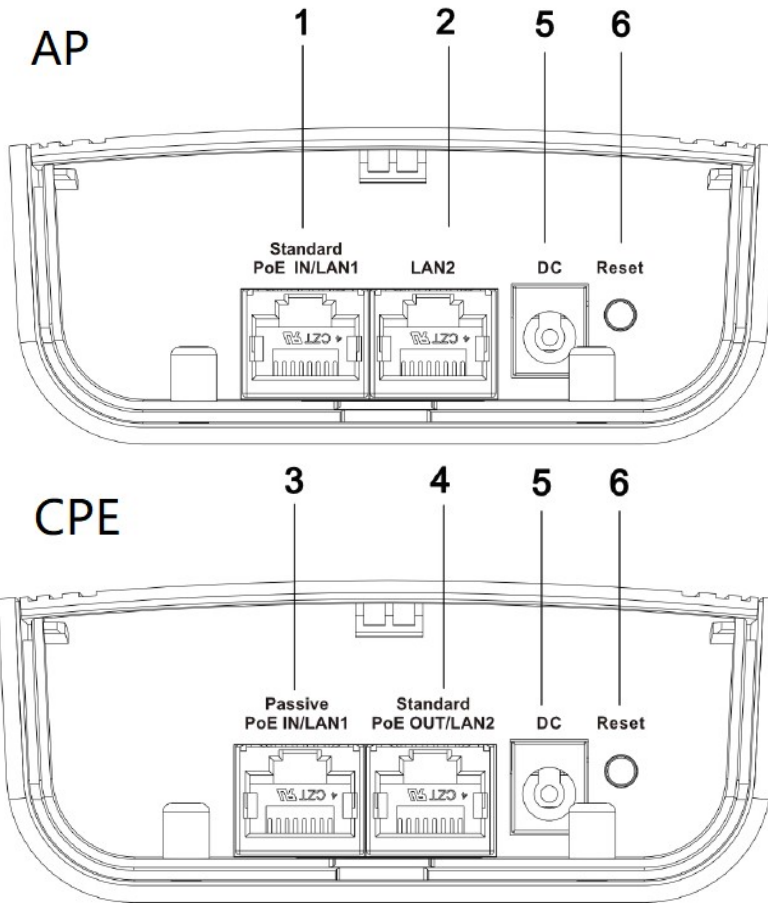
General	
Product Dimensions (W × H × D)	90.8 mm × 187.87 mm × 57.87 mm (3.58" × 7.4" × 2.28")
Package Dimensions (W × H × D)	256 mm × 231 mm × 86 mm (10.07" × 9.09" × 3.38")
Net Weight	0.26 kg (0.57 lb) per device
Gross Weight	1.1 kg (2.43 lb)
Packing List	Wireless Bridge × 2,PoE Power Supply × 2,AC Cord × 2,Quick Start Guide ×1,Regulatory Compliance and Safety Information × 1,Binding Tape × 4
Packing Method	Packing in pairs
Working Temperature	-30 °C to 65 °C (-22 °F to 149 °F)
Working Humidity	5% to 95% (no condensation)
Storage Temperature	-40 °C to 80 °C (-40 °F to 176 °F)
Storage Humidity	5% to 95% (no condensation)
Installation Mode	Pole Mounting
Ingress Protection	IP55
Power Consumption	2.43 W for typical (1-ch 2MP IPC), Max. 3.6 W
Wireless Parameter	
Wireless Standard	IEEE 802.11/a/n/ac
Max. Transmission Rate of Air Interface	≤ 867 Mbps
Working Frequency Band	5150 MHz ~ 5250 MHz,5250 MHz~ 5350 MHz,5470 MHz~ 5725 MHz,5725 MHz~ 5825 MHz
Antenna Gain	12 dBi
Antenna Angle	(H) Beamwidth [3 dB] 35° (V) Beamwidth [3 dB] 35°
Transmitting Power	22 dBm @11ac MCS0 (Note: Transmitting power may vary with local regulations.)
Receiving Sensitivity	-84 ±2dBm@AC80-MCS0
Throughput Rate	PTP: ,90 Mbps/0.5 KM(AC80),90 Mbps/1 KM(AC80),40 Mbps/5 KM(AC80),PTMP(1 to 4): ,80 Mbps/1 KM(AC80)
PoE Power Supply	
PoE Port	AP: LAN1 802.3af/at PoE IN; CPE: LAN1 passive PoE IN, LAN2 802.3 af PoE OUT
PoE Power Budget	10 W
PoE Distance	100 m
Hardware Parameter	
Network Interface	2 × 10/100 Mbps RJ45 ports
LED Indicator	Power indicator,LAN indicator,Signal intensity indicator
Reset	Hardware resetting button
Power Supply	48V PoE/12~24V DC;Check the physical interface image below for more details.
Software Function	
Application Function	IFM,IPM,DFS,TPC
Channel Width	20/40/80 MHz
Channel Selection	Auto/manual selection
Network Protocol	NTP (network time synchronization),SADP (auto search for IP address),HTTPS (web management)
Security Mode	WPA2-PSK
Security Mechanism	Wireless network name hidden
Management Method	Web,iVMS-4200,HCP

Upgrade	Web,iVMS-4200,HCP
System Log	Syslog,Control center information
HPP	<p>Support one-click activation and remote management via Hik-Partner Pro. Functions supported:</p> <ol style="list-style-type: none"> <li>1. Reboot device</li> <li>2. Restore device</li> <li>3. Display the topology information</li> <li>4. Display the connection status between AP and CPEs, including signal intensity, background noise, sending &amp; receiving rate.</li> <li>5. Configure wireless settings, including working mode, SSID, password, channel, channel bandwidth, transmitting power</li> <li>6. Bridge alignment</li> <li>7. Spectrum scanning</li> <li>8. PoE output management</li> </ol>
<b>Approval</b>	
EMC	CE-EMC (EN 55032: 2015+A11: 2020, EN IEC 61000-3-2: 2019, EN 61000-3-3: 2013+A1: 2019, EN 50130-4: 2011+A1: 2014, EN 55035: 2017+A11: 2020),IC (ICES-003: Issue 7:2020),RCM (AS/NZS CISPR 32: 2015)
Safety	CB (AMD1:2009, AMD2:2013, IEC 62368-1: 2014 (Second Edition)), CE-LVD (EN 62368-1: 2014+A11: 2017)
Chemistry	CE-RoHS (2011/65/EU),WEEE (2012/19/EU),Reach (Regulation (EC) No.1907/2006)
Radio	EN 301 893,EN 300 440,EN 62311,EN 301 489-3,EN 301 489-17

### ▪ Typical Application



### ▪ Physical Interface



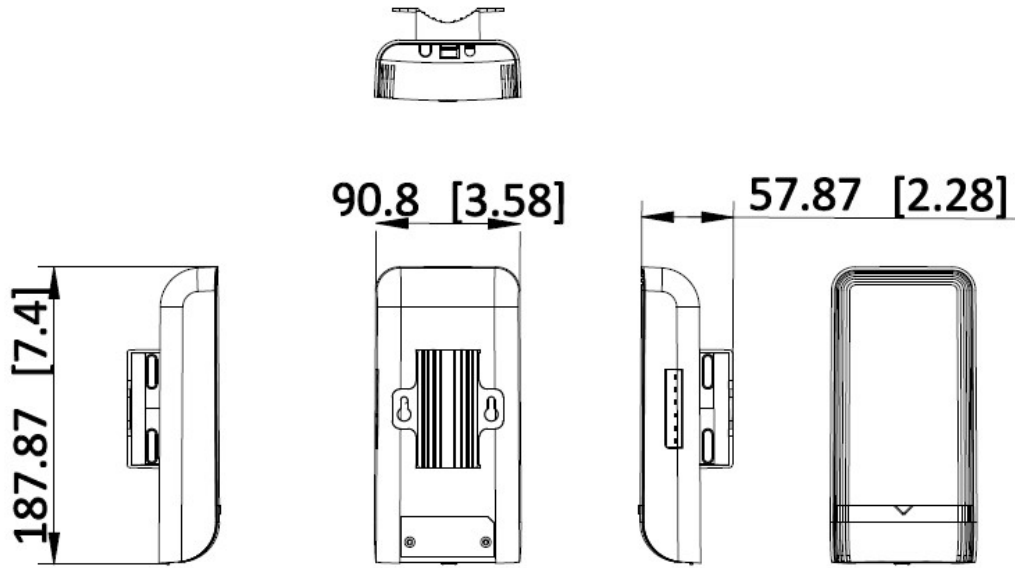
No.	Interface/Button	Description
1	Standard PoE IN/LAN 1	The 10/100 Mbps adaptive RJ45 port, also can be used as a standard PoE input port.
2	LAN 2	The 10/100 Mbps adaptive RJ45 port.
3	Passive PoE IN/LAN 1	The 10/100 Mbps adaptive RJ45 port, also can be used as a passive PoE input port.
4	Standard PoE OUT/LAN 2	The 10/100 Mbps adaptive RJ45 port, also can be used as a standard PoE output port.
5	DC	Support DC 12~24V power supply. PoE OUT is not available when the device is powered by DC port.
6	Reset	Long press for 4 seconds to restore to factory settings.

▪ **Available Model**

- DS-3WF02-5AC/D
- DS-3WF02-5AC/D-AP
- DS-3WF02-5AC/D-ST
- F-WL-B505-AC/P(iFLOW)
- F-WL-B505-AC/P-AP(iFLOW)

F-WL-B505-AC/P-ST(iFLOW)

▪ Dimension



# See Far, Go Further



[www.hikvision.com](http://www.hikvision.com)  
[support@hikvision.com](mailto:support@hikvision.com)

